

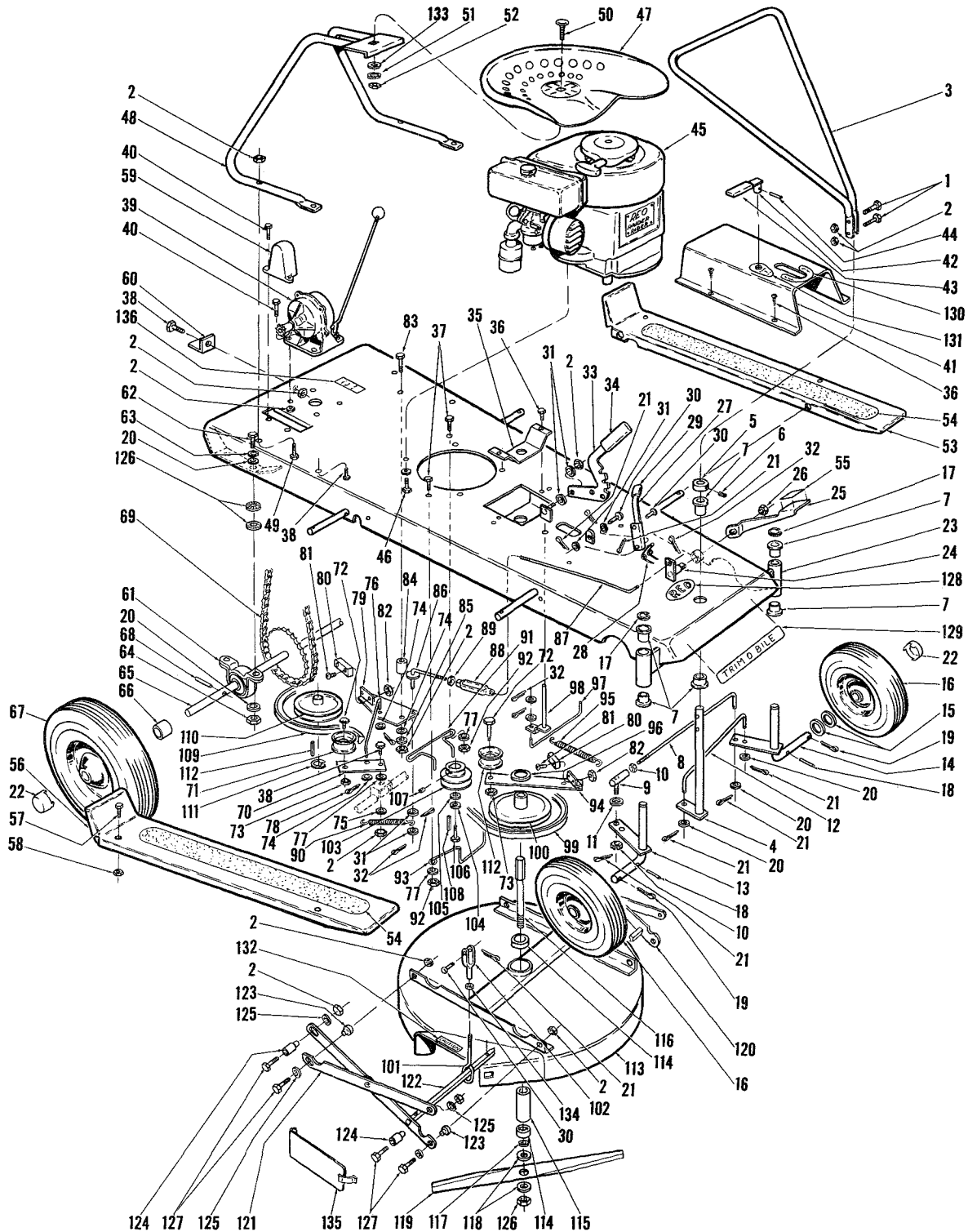
REO
REO
REO
REO

25" RIDING ROTARY
1963 PRODUCTION YEAR

REO 4 CYCLE ENGINE

REO
REO
REO
REO

MODEL 425-L3



ORDER PARTS BY NUMBER ONLY ~ NOT BY INDEX NUMBER

ORDER PARTS FROM YOUR REO SERVICE DISTRIBUTOR

SEE PARTS LIST ON REVERSE SIDE

REO MODEL 425-L3 RIDING ROTARY MOWER
Order Parts by Part Number Only - Not Index Number

INDEX NUMBER	PART NUMBER	DESCRIPTION	INDEX NUMBER	PART NUMBER	DESCRIPTION	INDEX NUMBER	PART NUMBER	DESCRIPTION
1	GM-122033	Bolt	47	MW-1224	Seat	93	MW-8864	Belt Guide
2	MW-4649	Nut	48	MW-8887	Support	94	MW-8777	Arm (Idler)
3	MW-8831	Handle Bar	49	GM-122045	Bolt	95	MW-8835	Spring
4	MW-8786	Steering Shaft	50	GM-126475	Bolt	96	MW-6831	Washer
5	MW-8866	Collar	51	GM-131101	Washer	97	MW-8764	Rod
6	MW-4251	Set Screw	52	GM-120378	Nut	98	MW-8849	Lever
7	MW-5331	Bushing	53	MW-8799	Fender L.H.	99	MW-8862	Belt
8	MW-8838	Tie Rod	54	MW-8874	Mat	100	MW-8770	Pulley
9	MW-8951-4	Ball Joint	55	MW-8875	Pad	101	MW-8798	Eyebolt
10	GM-120369	Nut	56	MW-8800	Fender R.H.	102	GM-144242	Clevis
11	GM-120381	Washer	57	GM-121900	Screw	103	MW-8771	Pulley
12	MW-8839	Drag Link	58	MW-4647	Nut	104	MW-4351	Washer
13	MW-8820	Spindle Assembly R.H.	59	MW-8878	Chain Guard	105	MW-4352	Washer
14	MW-8819	Spindle Assembly L.H.	60	MW-8832	Hitch	106	GM-181636	Bolt
15	MW-4314	Washer	61	MW-8809	Bearing	107	MW-4263	Set Screw
16	MW-8016	Wheel (Front)	62	GM-120233	Bolt	108	GM-124546	Key
17	MW-4555	Retaining Ring	63	GM-120381	Washer	109	MW-8857	Belt
18	MW-4240	Roll Pin	64	GM-120377	Nut	110	MW-8859	Pulley
19	GM-108635	Cotter Pin	65	MW-8805	Axle	111	MW-4572	Ring
20	GM-120394	Washer	66	MW-8808	Spacer	112	GM-124549	Key
21	GM-121222	Cotter Pin	67	MW-8872	Wheel (Rear)	113	MW-8825	Blade Housing
22	MW-8865	Hub Cap	68	GM-9409684	Pin	114	MW-7536	Bearing
23	MW-8823	Frame Assembly	69	MW-8861	Chain	115	MW-8826	Spacer
24	MW-8779	Shaft	70	MW-8775	Idler Arm	116	MW-8772	Shaft
25	MW-6926	Pedal	71	MW-8821	Pulley	117	MW-4349	Washer
26	GM-124944	Nut	72	GM-122150	Bolt	118	MW-4350	Washer
27	MW-8797	Height Adjusting Detent	73	MW-4657	Nut	119	MW-6938	Blade
28	MW-8863	Spring	74	MW-4338	Washer	120	use 10472	Scissor Assembly L.H.
29	MW-8657	Grip	75	GM-446470	Washer	121	use 10472	Scissor Assembly R.H.
30	GM-120690	Pin	76	MW-8765	Rod	122	use 10472	Torsion Bar
31	GM-120393	Washer	77	GM-120392	Washer	123	MW-6984	Pivot
32	GM-119117	Cotter Pin	78	GM-112726	Cotter Pin	124	MW-6985	Pivot
33	MW-8796	Lever (Height Adjustment)	79	MW-8844	Brake Arm	125	GM-446470	Washer
34	MW-8504	Grip	80	MW-6837	Brake Shoe	126	GM-178571	Washer
35	MW-8847	Bracket	81	GM-160536	Bolt	127	GM-122033	Bolt
36	MW-4193	Screw	82	MW-4647	Nut	128	MW-8605	Decal (Reo)
37	GM-121887	Bolt	83	GM-122065	Bolt	129	MW-8603	Decal (Trimobile)
38	GM-122007	Bolt	84	MW-8781	Spacer	130	MW-8876	Decal (Blade Height)
39	MW-8858	Transmission	85	GM-446470	Washer	131	MW-8877	Decal (Blade Clutch)
40	GM-120228	Bolt	86	MW-8841	Rod (Rear)	132	MW-8622	Decal (Caution)
41	MW-8813	Panel	87	MW-8842	Rod (Front)	133	GM-131016	Washer
42	MW-8854	Handle	88	MW-8726	Yoke	134	GM-120368	Nut
43	MW-8504	Grip	89	GM-120376	Nut	135	MW-8690	Chute Cover Assembly
44	GM-9415236	Roll Pin	90	MW-8834	Spring	136	MW-8565	Decal (Shift)
45	MW-8737	Engine	91	MW-8837	Belt Retainer			
46	MW-4755	Bolt	92	MW-4647	Nut			

Wheel Horse Service Bulletins 1961 - 1990: **#3** Issued: December 1965

Engine Cross Reference

[Table of Contents](#) [Next](#)

This list provides the engine manufacturers model number for the engine used on Reo equipment. This information will be of assistance to you when ordering engine replacement parts. Models from 1964 through 1966 are included. Reminder: All "Reo Raider" engines with the prefix of M or MW were manufactured by Lauson. Lauson's model number may be located in the "Reo Engine Interchangeable Parts List."

SNOW THROWERS

Reo Model Numbers	Lauson Model Numbers
415 ST-3	HT22B-3452 & H22-15016
417 ST-3	HTC30B-3434 & H30-35008
420 ST-3	HTR35B-3453 & H35-45005
ST-420	H35-45059E
STE-420	H35-45061E
ST-626 & STE-626	H60-75072B
ST-267	H60-75179E

MOWERS

418LR, 421LR	H22-15029C
418L	LAV22-10021
421L, 421LI, 421LC	LAV25-20019
421LCP	LAV25-20020A
425L	V40-50030
L-158	LAV25-20098C
LC-521	LAV35-40126C
LCP-521	LAV35-40127C
RR-46 (1965)	V40-50077C
RR-65	V60-70066C
RE-65	V60-70067C
L-618	LAV30-30268E
LC-621	LAV35-40126E
LCP-621	LAV35-40127E
RR-46 (1966)	V40-50077D
RR-66	V60-70066D
RE-66	V60-70067D

 Wheel Horse Service Bulletins 1961 - 1990: **#301e** Issued: February 1987

Engine Cross Reference Listing
[Previous](#) [Table of Contents](#) [Next](#)

THIS SERVICE BULLETIN SUPERSEDES ALL PREVIOUS

ENGINE CROSS REFERENCE SERVICE BULLETINS (3, 9, 18, 71, 79, 93, 121, 129, 135, 153, 171, 187, 208, 234, 246, 276, 301, 301A, 301B, 301C, 301D)

CONTENTS	
REO PRODUCTS	
YEAR	PAGE
1964-1966	301 A-2
1967-68	301 A-3

WHEEL HORSE

1958-66	301 A-4
1967-68	301 A-5
1969-70	301 A-6
1971-72	301A-7 & 8
1973-74	301 A-9 & 10
1975-76	301A-11 & 12
1977-78	301 A-13 & 14
1979-80	301A-15 & 16
1981-82	301A-17,18 & 19
1983	301B-20 & 21
1984	301C-22
1985	301D-23
1986	301D-24 & 25
1987	301E-26 & 27

1964 thru 1966 REO PRODUCTS ENGINE CROSS REFERENCE LISTING

This list provides the engine manufacturers model number for the engine used on Reo equipment. This information will be of assistance to you when ordering engine replacement parts. Models from 1964 through 1966 are included.

Reminder: All "Reo Raider" engines with the prefix of M or MW were manufactured by Lauson. Lauson's model numbers may be located in the "Reo Engine Interchangeable Parts List."

SNOW THROWERS

REO MODEL	LAUSON MODEL
415 ST-3	HT22B-3452 & H22-15016
417 ST-3	HTC30B-3434 & H30-35008
420 ST-3	HTR35B-3453 & H35-45005
ST-420	H35-45059E
STE-420	H35-45061E
ST-626 & STE-626	H60-75072B
ST-267	H60-75179E

MOWERS

418LR, 421LR	H22-15029C
418L	LAV22-10021
421L, 421L1, 421LC	LAV25-20019
421LCP	LAV25-20020A
425L	V40-50030
L-158	LAV25-20098C
LC-521	LAV35-40126C
LCP-521	LAV35-40127C
RR-46 (1965)	V40-50077C
RR-65	V60-70066C
RE-65	V60-70067C
L-618	LAV30-30268E
LC-621	LAV35-40126E
LCP-621	LAV35-40127E
RR-46 (1966)	V40-50077D
RR-66	V60-70066D
RE-66	V60-70067D

1967 REO PRODUCTS ENGINE CROSS REFERENCE LISTING

The information below provides the engine manufacturer's model number for the engine used on 1967 model Reo equipment.

REO MODEL NUMBER	MOWERS	
	POWER PRODUCTS MODEL NUMBER	LAUSON MODEL NUMBER
LS-1827 (Challenger)	AV-52 Type 638-30	
LS-2027 (Challenger II)	AV-52 Type 638-26	
LS-2047 (Challenger IV)		LAV30-30268F
LC-2127 (Custom II)	AV-52 Type 638-26	
LC-2147 (Custom IV)		LAV35-40126F
LCP-2147 (Regal IV)		LAV35-40127F
LL-217 (Royal IV)		H25-25100F
RR-47		V40-50077E
RR-67		V60-70066E
RE-67		V67-0067E

SNOW THROWERS

ST-420	H35-45059E
STE-420	H35-45061E
ST-268	H60-75179F

1968 REO PRODUCTS ENGINE CROSS REFERENCE LISTING

The information below provides the engine manufacturers model number for the engines used on 1968 model Reo equipment.

REO MODEL NUMBER	LAUSON MODEL NUMBER
LCP-2147 Regal IV	LAV 35-40127G
LCP-2147-1 Regal IV	LAV 35-40127G
LC-2147 Custom IV	LAV 35-40126G
LL-217 Reel Royal	H 25-25100F
4-2631 26" Snow Thrower	H 60-75179G
4-2632 26" Trailblazer	H 60-75179G
4-1031 20" Pathfinder	H 35-45176F
2-1231 Lawn Skiff Elec.	V 60-70067G
2-2231 Lawn Skiff Recoil	V 60-70066G

ENGINE CROSS REFERENCE LISTING FOR 1955 THRU 1966 MODELS

All Wheel Horse Part Numbers are for reference only All engine and engine parts must be ordered from the Engine Manufacturers Sales and Service outlets.

VEHICLE IDENTIFICATION MODEL NUMBER	KOHLER MODEL NUMBER	CLINTON NUMBER MODEL NUMBER	LAUSON MODEL NUMBER
RJ 35, RJ 58, RJ 59	K-90	B1290-1107	
ST 400, 401	K91-31388A	B1290-1107	
ST 550, 551			H55B-1170 H55D-2113
701, 702	K161S-28622E		
32-R, 502			HT55C-3088
32-E, 552			HT55C-3089
33-R, 603			H60-75016
33-E, 653			H60-75009
633	K141T-29102A		
753	K161S-28626E		
953	K241S-40135A		
34-R, 604			H60-75004B
34-E, 654			H60-75063B
704	K161T-28937E		
854, 855, 875	K181S-30108A		
1054, 1054-A	K241S-46215A &		